

## **samigon**<sup>®</sup> PROFESSIONAL VIDEO TRIPOD with Claw-Ball Fluid Head

Rapid setup, quick head leveling for a smooth even 360° pan, steady, shake-free operation and the ability to handle super VHS and Hi-8 cameras up to 15 pounds at a reasonable price, make the Samigon BSA650 the perfect tripod for the educational, industrial, wedding and advanced videographer.

The BSA650 has the traditional "claw-ball" head found on top of the line video tripods. It allows easy leveling, even on uneven ground, and a flat smooth even pan. The claw-ball head is featured on tripods which cost three times the price.

- Claw-ball levelling assures even, horizontal panning
- 2-way metal fluid head with integrated spirit level
- 30" - 59" height range
- All-metal fluid head, adjustable by a big fixing screw
- 3-section tandem legs
- Retractable rubber/spiked feet
- Aluminum alloy construction
- Built-in bubble level
- Quick release plate
- Adjustable handle position
- For cameras up to 15lbs



*Recommended by  
Dirck Halstead  
Time Magazine's  
Senior White House  
Photographer*

**Specifications:**  
Height Closed: 27½"  
Height Ext: 59"  
Weight: 7 lbs.

BSA650  
BSA652

Professional Video Tripod  
Spare Quick release plate for BSA650

## **samigon**<sup>®</sup> Monopod #BSA617

Height Closed: 19.5"  
Height Extended: 63.5"  
Weight: 14.2 oz.

This sturdy monopod weighs less than a pound. It has a flip lock leg with a rubber foot and a retractable steel spike for outdoor use. Non-slip rubber hand grip for comfort. Perfect for outdoor and sports photography.



BSA617 Samigon 5-Section Monopod

## **samigon**<sup>®</sup> Snap-Set Grip-Pod

Use as a table-top tripod, camera grip or chest pod. Legs store internally and snap open automatically. Ball & socket head with finger-tip lock. Comfortable 6½" hand grip. Non-skid feet for stability and safety. Height 7½", leg spread 8", weight 7oz. Samigon blister. Master: 10.



BSA575 Snap-Set Grip-Pod

## **samigon**<sup>®</sup> Bottle - Top Pod



**The Samigon Bottle-Top Pod is in its original Japanese packaging. It's fun, young and vibrant!**

Do you enjoy taking photos of friends and family but always find yourself on the wrong side of the camera instead of with them? If you answered yes, then it is time you discovered this ingenious little item that is the answer to all of your problems.

The bottle-top pod turns almost any water bottle, soft drink, even beer bottles into an instant tripod! Simply screw the adapter into the tripod thread of your camera, attach the bottle-top pod to the top of your bottle and start including yourself in the picture. The ball head allows you to angle your camera to make the shot just right. Also great for when you're out snapping alone and want to include yourself in the shot.

### Benefits:

- No need to carry those cumbersome tripods around with you everywhere you go
- Just the thing for those spur of the moment shots when you don't have a tripod handy
- A perfect and easy way to get photos of the WHOLE family or group - with you in it!
- Ball head for the perfect angle every time
- Fits a majority of water, soft drink, beer, wine, etc... bottles. (28.5 to 30.5mm Diameter)
- Works with most compact point-and-shoot digital cameras with a tripod thread

BSA592 Samigon Bottle-Top Pod



**PERSONAL SERVICE IS OUR #1 PRIORITY**

# ARGRAPH

CORP

Address: 111 Asia Place, Carlstadt, NJ 07072 Phone: (201) 939-7722  
Order by Toll Free Phone: 1-888-ARGRAPH or 1-800-526-6290 Fax: (201) 939-7782

Email your orders to: [orders@argraph.com](mailto:orders@argraph.com) Website: [www.argraph.com](http://www.argraph.com)

**Tripod Carry Bags**

Protect and carry tripods in comfort and style  
Fully padded. Adjustable shoulder strap.  
Black "pleather" material.



BSA635 Large Tripod Carrying Case (27½")  
for BSA2603

BSA637 Medium Tripod Carrying Case (24")  
for BSA602, 603, 604, 605, 607, 617,  
618 & 2203

**Quick Release for Super Axis Tripods**

Rugged, all metal with a ¼ x 20 female thread on base  
and ¼ x 20 screw on the top plate. Works with all  
tripods that do not have a built-in quick release.



BSA2207 Quick Release

**Tripod Quick Release, QR-1 and QR-10**

Automatically lock camera into position.  
Left hand unlocking lever frees right hand  
for holding the camera. Positive locking  
allows for additional reinforcement.  
Accepts built-in camera plate from  
Hasselblad and Mamiya RB-67 cameras.  
Compact size with compact camera plate.  
Machined out of high quality aluminum alloy.

**Large QR-1**

Recommended Support: 16lb.  
Dimensions: 2½" x 3¼" x 2/3"  
Weight: 135g (4.8oz)  
Bottom Screw: 3/8" with ¼" adapter

**Small QR-10**  
8 lb.  
2" x 2¾" x 2/3"  
133g (4.7ozs)  
¼"

BST301 Large Quick Release QR-1  
BST303 Small Quick Release QR-10

**Mounting Plates for Quick Releases**

The QR73 is an extra large plate for QR-1 and QR-10 quick releases.

Height: 3/8"  
Top Platform: 3" x 3"  
Screw: 3/8"  
Ball: 1½" Diameter  
Weight: 95 gram (3.4 oz)  
Maximum Camera weight: 16lbs.

**Standard-size Replacement Plates for Quick Releases**

BST312 Small Mounting Plate for QR-10 QR30  
BST316 Extra-large plate for quick releases QR73

**Deluxe Tripod Carry Bags**

Carry your tripods with extreme comfort  
Fully padded. Adjustable shoulder strap.  
Extra pouch for your carrying needs.  
Black "pleather" material.



BSA633 Deluxe Tripod Carrying Case (27") for BSA2603

**TENSION CONTROL BALL HEADS**

Iston Ball Heads are finely machined from aluminum alloy to give years of  
professional use. Designed for maximum convenience during photo  
shoots. The tension control provides adjustable friction for both the ball  
movement and panning action.

**Medium Ball Head, TCB-8V**

With extra-large top plate.  
Brass 1/4" - 3/8" bushing adapter included.  
Height: 4"  
Top Plate: 3" Diameter, Base: 1¾" Diameter  
Ball: 1½" Diameter  
Screw: 3/8" (top), 3/8" (bottom)  
Weight: 585 gram (1.3lbs.)  
Maximum Camera weight: 16lbs.



BST285 Medium Ball Head TCB-8V

**Tripod Adapter, AD-4  
for TCB-4 and BH-4 Ball Heads**

Allows TCB-4 and BH-4 heads to be used on  
tripods with larger top plate. Provides clearance  
for locking screws.



Top Platform: 1½" Diameter, Base: 2" Diameter  
Bushing: 3/8" (top)  
Screw: 3/8" (bottom)

BST327 Tripod Adapter for TCB-4/BH-4 AD-4

**EXTRA QUICK RELEASE PLATES**

BSA621 ..... For BSA603 and 604  
Note: Also fits Bilora quick releases

BSA622 ..... For BSA605

**FOR FAST DELIVERY CALL TOLL FREE!**

Address: 111 Asia Place, Carlstadt, NJ 07072 Phone: (201) 939-7722

Order by Toll Free Phone: 1-888-ARGRAPH or 1-800-526-6290 Fax: (201) 939-7782

Email your orders to: [orders@argraph.com](mailto:orders@argraph.com)

Website: [www.argraph.com](http://www.argraph.com)

**Seal-Tight™**  
PHOTO/VIDEO CASES

**MAXIMUM STRENGTH  
AND FLEXIBILITY**

The tongue in groove, continuous "O"-ring system, makes the case water, moisture, and dust tight. Low profile pressure release valve. High density cubed foam for customizing. Large separated hinges for maximum strength and flexibility. Exclusive 4-latch system. Large flanges allow for locking padlocks. Limited lifetime warranty.



BDO653B

		Inside Dim.	Outside Dim.	
BDO653B	Large, Black	17 <sup>1</sup> / <sub>8</sub> x 12 x 7 <sup>1</sup> / <sub>4</sub>	19 <sup>3</sup> / <sub>8</sub> x 14 <sup>1</sup> / <sub>4</sub> x 8	65300
BDO654B	X-Large, Black	18 <sup>7</sup> / <sub>8</sub> x 14 <sup>1</sup> / <sub>4</sub> x 8 <sup>1</sup> / <sub>4</sub>	20 <sup>3</sup> / <sub>4</sub> x 16 <sup>1</sup> / <sub>2</sub> x 9 <sup>1</sup> / <sub>4</sub>	65400

**WATER, MOISTURE,  
& DUST TIGHT!**



BDO654B

## DESIGNER SERIES Photo/Video Cases

- Strong injection molded, luggage grade material
- 4 layer soft foam interior cubed foam for customizing
- Deep molded valances • Positive locks

**5 YEAR WARRANTY**



	Inside Dim.	Outside Dim.
Medium Case	11 <sup>5</sup> / <sub>8</sub> x 7 <sup>3</sup> / <sub>4</sub> x 5	12 <sup>3</sup> / <sub>4</sub> x 9 <sup>3</sup> / <sub>8</sub> x 5 <sup>3</sup> / <sub>8</sub>
Large Case	17 <sup>3</sup> / <sub>4</sub> x 11 <sup>7</sup> / <sub>8</sub> x 6 <sup>1</sup> / <sub>2</sub>	19 x 13 <sup>3</sup> / <sub>8</sub> x 7

BDO62200	3-Pack of Medium Cases, Black	62200
BDO62300	3-Pack of Large Cases, Black	62300
BDO69002	Replacement Foam for Medium Case	69003
BDO69003	Replacement Foam for Large Case	69003

## Replacement Foam

High density cubed foam allows for customization and protection of photo and video cases.

BDO695	For X-Large cases	69015
BDO696	For Large cases	69016

**CUSTOMIZE CAMERA COMPARTMENTS**

## Replacement O-Ring Seals

Creates a water, moisture and dust tight seal for photo and video cases.

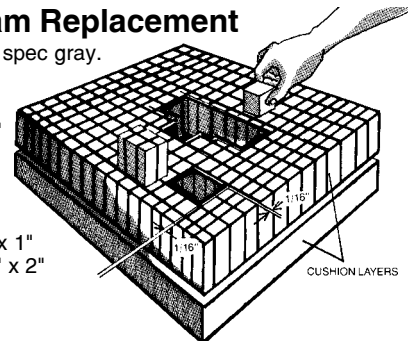
BDO69017	For Large Seal-Tight cases	69017
BDO69018	For X-Large Seal-Tight cases	69018

## CPM/Delta Polyfoam Replacement

Fits any case. Hi-density, mil spec gray.

**20410:** 1 Piece-  
Die-cut, 18" x 13" x 2"  
with 1" x 1" x 2"  
pull apart squares

**20420:** 2 Pieces-  
One uncut, 18" x 13" x 1"  
One die-cut, 18" x 13" x 2"  
with 1" x 1" x 2"  
pull apart squares



BCP20410	Polyfoam Replacement, 1 Piece	20410
BCP20420	Polyfoam Replacement, 2 Pieces	20420

**PERSONAL SERVICE IS OUR #1 PRIORITY**

**ARGGRAPH**  
CORP

Address: 111 Asia Place, Carlstadt, NJ 07072 Phone: (201) 939-7722  
Order by Toll Free Phone: 1-888-ARGGRAPH or 1-800-526-6290 Fax: (201) 939-7782

Email your orders to: [orders@argraph.com](mailto:orders@argraph.com)

Website: [www.argraph.com](http://www.argraph.com)

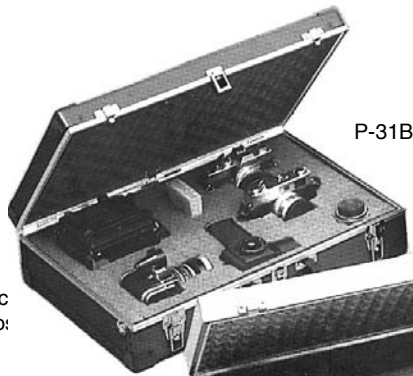
## Fiberbilt Adapt-A-Case

### FABRICATED (P-30 & P-31)

Lightweight yet rugged. Constructed of tough, wear-resistant, black polyplex. Features continuous piano hinge, steel reinforced corners, snap locks, and aluminum tongue & groove closure.

MODEL P-30 has a fully padded interior and comes with interlocking partitions. Additional partitions may be ordered.

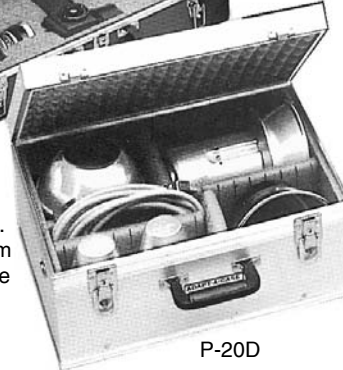
MODEL P-31 has a diced foam interior which provides snug-fit protection for even the most delicate equipment.



P-31B



P-30J



P-20D



P-20E

### ALUMINUM (P-20 & P-21)

This sleek models are designed for those who want a rigid, rugged case. They are suitable for both carrying and shipping. Features include one-piece, continuous piano hinge, maximum security draw lock and rubber gasket, tongue & groove closure for maximum dust and moisture protection.

MODEL P-20 has a fully padded interior and comes with interlocking partitions. Additional partitions may be ordered.

MODEL P-21 has a diced foam interior which provides snug-fit protection for even the most delicate equipment.

SIZE	ALUMINUM				FABRICATED			
	with Partitions		with Diced Foam		with Partitions		with Diced Foam	
	CODE	MODEL	CODE	MODEL	CODE	MODEL	CODE	MODEL
E (18 x 14 x 5)	BFC251	P-20E	BFC261	P-21E	BFC221	P-30E	BFC231	P-31E
B (22 x 16 x 5)	BFC252	P-20B	BFC262	P-21B	BFC222	P-30B	BFC232	P-31B
C (20 x 10 x 13)	BFC254	P-20C	---	---	BFC224	P-30C	---	---
D (18 x 14 x 8)	BFC255	P-20D	BFC265	P-21D	BFC225	P-30D	BFC235	P-31D
J (22 x 16 x 8)	BFC256	P-20J	BFC266	P-21J	BFC226	P-30J	BFC236	P-31J
A (22 x 16 x 10)	BFC257	P-20A	BFC267	P-21A	BFC227	P30A	BFC237	P31A

BFC988 ..... Heavy Duty Shoulder Strap

BFC998 ..... Diced Foam Sheet (22" x 16" x 7/8")

## Fiberbilt Plastic Molded Cases, P-40/41

A durable silver high-impact plastic case, with an extra strong extruded aluminum frame that contains a full protective rubber gasket.

The case is further strengthened with a heavy duty continuous piano hinge and 2 strong chromed locks.

P-40 with removable partitions.

P-41 filled with diced foam.



SIZE	with Partitions		With Diced Foam	
	CODE	MODEL	CODE	MODEL
16 x 11 x 5	BFC200	P-40L	BFC203	P-41L
18 x 13 x 6	BFC201	P-40XL	BFC204	P-41XL
20 x 14 x 6	BFC206	P-40Q	BFC207	P-41Q

## Fiberbilt Plastic Molded Cases, P-70/71

Here's the case that can really take it! Incredible ruggedness is molded right into this lightweight black polyplex Adapt-A-Case.

Sophisticated girder-rib engineering does the trick—makes it strong enough to stand on! Delicate & expensive equipment is further protected within the case by a complete lining of extra-thick, super cushioning foam. Rubber gasket in the aluminum tongue-and-groove closure provides maximum dust & moisture protection. P-40 with removable partitions. P-41 filled with diced foam.



SIZE	with Partitions		With Diced Foam	
	CODE	MODEL	CODE	MODEL
18 x 14 x 6	BFC210	P-70M	BFC212	P-71M
22 x 16 x 6	BFC211	P-70R	BFC213	P-71R

**FOR FAST DELIVERY CALL TOLL FREE!**



Address: 111 Asia Place, Carlstadt, NJ 07072 Phone: (201) 939-7722

Order by Toll Free Phone: 1-888-ARGRAPH or 1-800-526-6290 Fax: (201) 939-7782

Email your orders to: [orders@argraph.com](mailto:orders@argraph.com)

Website: [www.argraph.com](http://www.argraph.com)



## SEAHORSE Watertight Equipment Cases

Quality, Features and Prices Protect  
Your Profits and Crush "Brand P"

- |  |   |   |
|--|---|---|
| <ul style="list-style-type: none"> <li>• <b>Automatic Purge Valve:</b><br/>Automatically equalizes air pressure when you open the latch.</li> <li>• <b>Watertight and Airtight</b></li> <li>• <b>Dustproof and Rugged</b></li> </ul> | <ul style="list-style-type: none"> <li>• <b>Non Corrosive Hinge Pins</b></li> <li>• <b>Closed Hinges for Added Strength</b></li> <li>• <b>Padlock holes</b></li> <li>• <b>Exceeds Military Standards</b></li> </ul> | <ul style="list-style-type: none"> <li>• <b>UV Protected</b></li> <li>• <b>Pick &amp; Pluck Foam Interior</b></li> <li>• <b>Unconditional Lifetime Guarantee</b></li> </ul> |
|--|---|---|

To specify color add one of the following letters at the end of the item number:  
**B**= Black, **G**=Gray/Gun Metal, **Y**=Yellow, **O**=Orange i.e. BSE120FY = Yellow Case  
(If no color is specified, we will ship black)

Model#	Inside Dim.(in.)	Outside Dim.(in.)	Mfg#
--------	------------------	-------------------	------

### Hurricane Watertight Equipment Cases

BSE120F	7.3 x 5 x 3.23	8.7 x 7.45 x 3.9	SE120F
---------	----------------	------------------	--------

### Hurricane Watertight Equipment Cases with Metal Locks

BSE120FM	7.3 x 5 x 3.23	8.7 x 7.45 x 3.9	SE120FML
BSE720FM	18.29 x 13.19 x 6.62	19.75 x 15.80 x 7.48	SE720FML

Models listed include Pick & Pluck Foam (except computer case). Also available as special order:

**SE Series** without foam; **SE Series** with Chromed Metal, Keyed Locks; **SE Series** with Latches with Plastic Locks & Keys (Non Corrosive, Saltwater safe); **SX Series** - Heavy Duty - Fire retardant - Available in Black only



Case with Dividers

## HURRICANE COMPUTER CASE

- Lid Organizer
- Padded Shoulder Strap
- Metal Locks
- Fitted Shock Absorbing Bottom



Model#	Inside Dim.(in.)	Outside Dim.(in.)	Mfg#	(Available only in Black)
BSE710CC	18.29 x 13.19 x 4.57	19¾ x 15.80 x 5.413	SE710CC	

PERSONAL SERVICE IS OUR #1 PRIORITY

# ARGGRAPH

CORP

Address: 111 Asia Place, Carlstadt, NJ 07072 Phone: (201) 939-7722  
Order by Toll Free Phone: 1-888-ARGGRAPH or 1-800-526-6290 Fax: (201) 939-7782

Email your orders to: [orders@argraph.com](mailto:orders@argraph.com)

Website: [www.argraph.com](http://www.argraph.com)

**B-6****M-Rock Camera Bags****Discover why photographers and dealers love...**

## MULTI Camera Bags



**Easy to Order!  
Display! and Sell!**

Just a dozen bags in the entire MULTI line, yet they can hold all of today's most popular digital & film, cameras & camcorders and their accessories!

### The Most Versatile, Feature-Packed, Functional Camera Bags

**MULTI Camera Bags** have the most features per dollar and the best quality workmanship in the camera bag industry.

**MULTI Camera Bags** come with:

- Two padded, dual adjustable shoulder straps. Can be carried as a shoulder bag, backpack, or a chestpack.
- Protective jacket that covers the entire bag.
- Dual closure-zipper and front buckle opening/closing.
- Ultra-soft, non-abrasive, digital-friendly interior lining.
- Very protective, hugging rainflap.

- Internal passport pocket.
- Deep, usable mesh pocket in the lid.
- Useful front pocket with an elastic divider.
- Large belt loop behind each MULTI camera bag.
- Thick closed cell foam and plastic panel inserts for extra protection.
- Rubber bungee straps for carrying accessories below the bag such as: wind-breaker, gloves, umbrella, small tripod, etc.
- Meshing on rear of bags and modular belt for extra comfort against skin.
- Lifetime warranty on workmanship and materials with normal use of the bag.

### The most comfortable and user-friendly modular system in the photo industry

Here's what they're saying about M-ROCK Bags:

**" Thanks again for creating a product of such quality. It's so easy for me to sell your products because I honestly think they are one of the best systems out there—SYSTEMS being the operative word. It's a no-brainer for most of my customers once I show them."** Dan, F-Stop Camera

**"The camera bag of my dreams!  
Awesome just awesome!"** Michael M.

By utilizing the two padded, dual adjustable shoulder straps that come with each MULTI CameraBag, it can be carried as a shoulder bag, backpack, or a chestpack.



**FOR FAST DELIVERY CALL TOLL FREE!**

**ARGRAPH**  
CORP

Address: 111 Asia Place, Carlstadt, NJ 07072 Phone: (201) 939-7722

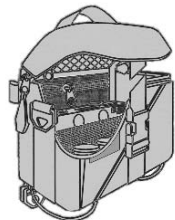
Order by Toll Free Phone: 1-888-ARGRAPH or 1-800-526-6290 Fax: (201) 939-7782

Email your orders to: [orders@argraph.com](mailto:orders@argraph.com)

Website: [www.argraph.com](http://www.argraph.com)

## SQUARE GADGET BAGS

**88001 Rocky Mountain**  
4½"H x 5½"W x 2½"D



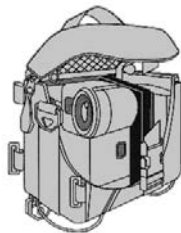
Perfect for digital or 35mm point-and-shoot cameras. Interior elastic holds tiny cameras or accessories. Also good for binoculars, cellular phones, other small electronics.

**88009 Cascade**  
5¼"H x 6¼"W x 3¼"D



Holds digital camcorders, cameras, and is sized just right to hold a portable CD player and a few CDs.

**88004 Glacier Bay**  
6½"H x 7"W x 4¼"D



Multi-purpose! Comes with a removable lens cradle for SLR use with up to a 4" lens attached, and an adjustable divider for digital cameras, camcorders and their accessories.



## 88006 MODULAR BELT

Fits waist sizes 26" to 60"

Holds any one MULTI bag (except 88011 and 88015) and two modular pouch bags.



## TOP-LOAD HOLSTER BAGS

**88010 Appalachian**  
5¾"H x 6"W x 3¼"D



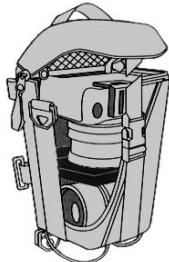
Holds smaller digital or 35mm SLR camera body styles with up to a 3" lens attached.

**88002 Yellowstone**  
6¼"H x 7"W x 4"D



Holds all digital or 35mm SLR camera body styles with up to a 4" lens attached.

**88003 High Sierra**  
8¾"H x 7½"W x 4"D



Holds all digital or 35mm SLR camera body styles with up to a 6" lens attached. Sewn in flap gives option to divide interior.

"I wanted to tell you how great the High Sierra is. I don't think there is a better product made.

That case has saved my camera so many times already that it has paid for itself many times over.

I even jumped from an airplane with it. That thing is really tough.

Thanks for the great product."  
William M.

## 88015 GREAT SMOKY MOUNTAIN

The Most Comfortable Photo-Backpack ever created and... it's pretty clever too!

Created by one of Colorado's best backpack designers first, with M-ROCK's unique camera bag features implemented second, resulting in the most comfortable and functional backpack in the photographic industry!



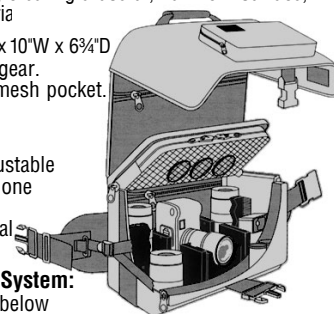
**Backpack Technology:** Aluminum frame for extra support and comfort. Well padded adjustable shoulder straps, complemented by an extremely comfortable neoprene waist-belt with compression straps and quick release buckle.

**Work Surface:** The top section pulls away from the bottom section in reverse fashion, creating a useful, flat work surface, with water resistant material

**Top Hiking Section:** 7"H x 10"W x 6¾"D  
Plenty of room for hiking gear. Removable pocket and a mesh pocket.

**Bottom Photo Section:**  
8"H x 10"W x 7½"D  
One lens cradle and 5 adjustable dividers provide room for one SLR body with a lens attached, plus an additional 4 to 5 photo accessories.

**Unique Tripod Carrying System:**  
Slide tripod through loop below backpack. Pull draw-string cords on both sides to secure tripod.



## MODULAR POUCH BAGS

**88007 Niagara**  
7"H x 4"W x 3½"D



Holds lenses up to 7" long. Velcro arms for attaching to sides of MULTI Camera Bags and Modular Belt. Water bottle holder.

**88008 Mesa Verde**  
3½"H x 3¾"W x 2¼"D



Holds mini-digital and 35mm point and shoot cameras. Velcro arms for attaching to sides of MULTI Camera Bags and Modular Belt.

**88012 Yosemite**  
5¾"H x 6"W x 3¼"D



Perfect for a small digital camera!  
Can be carried on shoulder, looped on the belt of pants, or attached to MULTI Camera Bags and Modular Belt!

To specify color, add one of the following letters at the end of the item number:

**B=** All Black                      **G=** Black /Green  
**N=** Black /Navy                  **U=** Black/Burgundy

i.e. **BMR88009N=** Casacade, Black /Navy Case  
(If no color is specified, we will assort based on overall sales ratios)

\*88006 and 88011 - All Black Only.  
\*\*88003 - All Black and Black/Navy Only.  
\*\*\*88015 - Black/Navy and Black/Green Only

BMR88001__	Rocky Mountain	88001	BMR88008__	Mesa Verde	88008
BMR88002__	Yellowstone	88002	BMR88009__	Cascade	88009
**BMR88003__	High Sierra	88003	BMR88010__	Appalachian	88010
BMR88004__	Glacier Bay	88004	BMR88012__	Yosemite	88012
*BMR88006__	Modular Belt	88006	***BMR88015__	Great Smoky Mountain	88015
BMR88007__	Niagara	88007			

## PERSONAL SERVICE IS OUR #1 PRIORITY



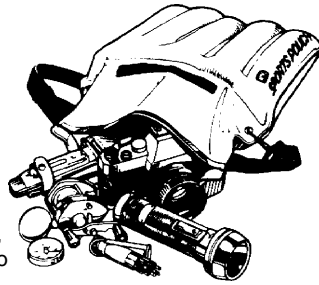
Address: 111 Asia Place, Carlstadt, NJ 07072    Phone: (201) 939-7722  
Order by Toll Free Phone: 1-888-ARGRAPH or 1-800-526-6290    Fax: (201) 939-7782

Email your orders to: [orders@argraph.com](mailto:orders@argraph.com)

Website: [www.argraph.com](http://www.argraph.com)

**Sima Sports Pouch***Waterproof, Shock Resistant Carry-all*

Sports Pouch protects all your valuable and fragile equipment from water, dust and other damage with cushions of air. And because it inflates- it floats. The perfect lightweight rugged carry-all for outdoor activities- boating, camping, travel and photography. Available in two models in a highly visible yellow.



ASP084 Regular Sports Pouch, 14" x 12" SPY-06  
 ASP033 Super Sports Pouch, 17" x 17" SPS-Y

**CPM/Delta Propouch 911**

Stores, protects, and organizes your valuable equipment. Perfect for lenses, light meters, film backs, film filters, etc. High density foam provides maximum insulation and shock protection. Fold-over flap with a full 36 sq. inches of industrial grade velcro offers positive closure. Size: 9" x 11"



**21-9120:** RANCHYDE VINYL, black with glove grade lining.  
**21-9125:** CORDURA, rugged high-abrasion, water resistant pouch for tough handling in any environment.

ECP367 Super Rugged Cordura 20130

**CPM/Delta Propouch 911 with Leadshield**

X-ray protected. Lined with Leadshield, heavy gauge flexible lead vinyl. Leadshield will not crack or split with heavy usage. Protects all photographic film including ISO 3200. Made in USA. Size: 9" x 11"

ECP388 Cordura with Leadshield 20140

**CPM/Delta Focusing Cloth**

This classic focusing and field cloth is constructed of 100% American cotton, making it cooler, lighter, more durable and more snag resistant than the conventional double-knit polyesters. The front is flat white, the reverse dead black. One edge is covered with a velcro strip, allowing the cloth to close around the largest camera or smallest telephoto lens. Each corner has velcro strips which can be attached to each other or to the velcro weights. Each weight has velcro on both sides, allowing unlimited weights to be piggybacked for special field requirements.

BCP219210 White/Black 36" x 48" 20310  
 BCP219220 White/Black 48" x 60" 20320


**samigon®**  
**"SOFF STRETCH"**  
**Neoprene**  
**Shoulder Straps**

Made of stretchable neoprene, allowing for total movement and freedom, yet providing important support for even your most expensive equipment.



BSA925 1½" Black/Neoprene


**samigon® Straps**

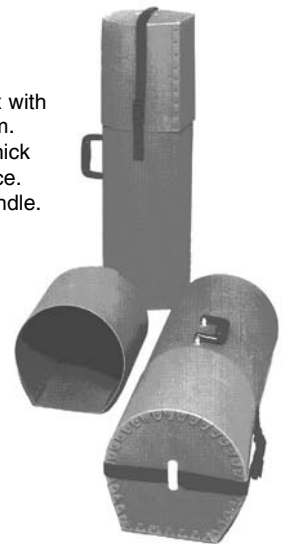
Slip-proof rubber woven into strap. Extra-strong safety construction. Surelock clasp. Narrow ends fit Maxxum, Canon T Series, etc. Packed in poly bags of 6



BSA943 Tan/Black  
 BSA945 Gray/Black  
 BSA946 Navy/White  
 BSA949 Yellow/Black

**Fiberbilt Adjustable Tripod Cases, P-508**

Protects tripod for storage and transport. Constructed of rugged heavyweight polyplex with puncture resistant plywood reinforced bottom. Flat side prevents rolling. The cover has a thick rubber pad to hold the tripod securely in place. Heavy-duty web strap and large carrying handle. Cases are adjustable in length as indicated.



	Min. Length	Max. Length	Inside Dia.
BFC291	30" .... to ....	40" ....	8½"
BFC292	40" .... to ....	50" ....	8½"
BFC293	30" .... to ....	40" ....	10"
BFC294	40" .... to ....	50" ....	10"
BFC295	55" .... to ....	65" ....	10"

**FOR FAST DELIVERY CALL TOLL FREE!**


Address: 111 Asia Place, Carlstadt, NJ 07072 Phone: (201) 939-7722

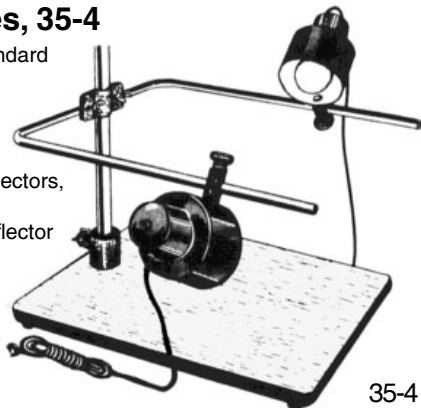
Order by Toll Free Phone: 1-888-ARGRAPH or 1-800-526-6290 Fax: (201) 939-7782

Email your orders to: [orders@argraph.com](mailto:orders@argraph.com) Website: [www.argraph.com](http://www.argraph.com)



## Testrite Copy Lites, 35-4

Uses 75 watt maximum standard bulbs (not included). A four light unit for larger copying work. Fits any copy stand with post up to 1½" diameter. Black finished reflectors, 4" diameter, easily adjusted as illustration shows one reflector in down and the other in up position. Reflectors slide on U-shaped arm.



BTE009 Copy Lights

35-4

## **samigon**® Screw-Lock, Heavy-Duty Cable Releases

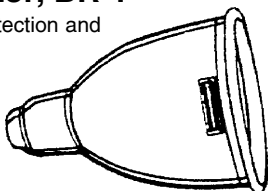
With flexible black covering, chrome plated hardware and screw lock for time exposures. Rotating screw-in fitting. Samigon blister pack.



- BSA882 12" Heavy-duty release w/screw lock
- BSA883 20" Heavy-duty release w/screw lock
- BSA884 40" Heavy-duty release w/screw lock

## Testrite Bell Reflector, BR-1

Screws into socket to offer protection and reflection of bare copy lights. 5¼" diameter, 4" long.



BTE436 Bell Reflector

BR-1

## **samigon**® Bubble Levels

Spirit levels mount in camera accessory shoe to keep cameras level. This is especially important when using wide angle lenses. Made of clear plastic with accessory shoe mount on bottom. Two models are available: single bubble and double bubble. Double unit will align vertical and horizontal planes simultaneously.

Single unit measures ¾" x ¾" x ¾", Double unit measures 1¾" x ¾" x 1".

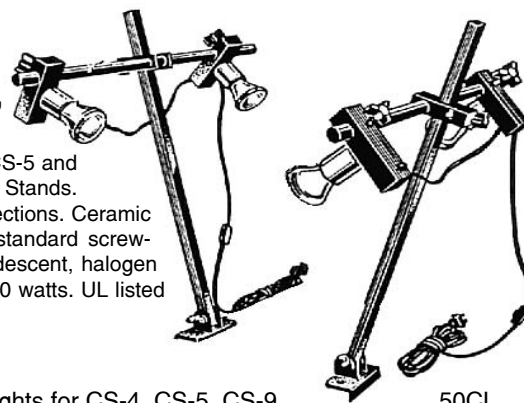
Samigon blister pack. Single-Master:12; Double-Master:10.



- BSA543 Single Spirit Level
- BSA544 Double Spirit Level

## Testrite Copy Lights, 50CL

Suitable for CS-4, CS-5 and CS-9 Testrite Copy Stands. Adjustable in all directions. Ceramic sockets accept all standard screw-base bulbs – incandescent, halogen or strobe – up to 250 watts. UL listed 8 Ft. cord.



BTE017 Copy Lights for CS-4, CS-5, CS-9

50CL

## **samigon**® Heavy-Duty, Auto Disc Lock Cable Releases

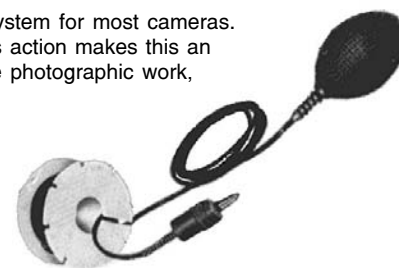
Our top quality cable release. Extremely flexible and trouble-free. Same construction as above, but with auto-disc lock instead of screw lock. Samigon blister pack.



- BSA892 12" Heavy-duty release w/auto lock
- BSA893 20" Heavy duty release w/auto lock
- BSA894 40" Heavy duty release w/auto lock

## **samigon**® 20ft. Air Release

Provides a remote control system for most cameras. Smooth, easy, instantaneous action makes this an excellent tool for unobtrusive photographic work, such as photographing children, birds, etc. Air release is 20ft. long and comes wound on a plastic drum for carrying convenience. Samigon blister pack. Master: 10.



BSA871 20ft. Air Release

## CPM/Delta Effects Kit 1

Four hi-key/low-key vignette effects flags. Produces fade-in/fade-out effects, soft edges, and black or white vignettes. Fits all 4½" square holders and shades.



BCP242190 Effects Kit 1

46120

**PERSONAL SERVICE IS OUR #1 PRIORITY**

# ARGRAPH

CORP

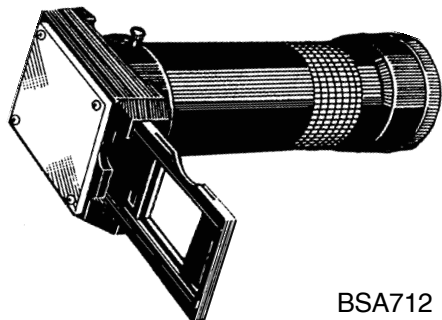
Address: 111 Asia Place, Carlstadt, NJ 07072 Phone: (201) 939-7722  
 Order by Toll Free Phone: 1-888-ARGRAPH or 1-800-526-6290 Fax: (201) 939-7782

Email your orders to: [orders@argraph.com](mailto:orders@argraph.com)

Website: [www.argraph.com](http://www.argraph.com)

## **samigon®** Zoom Slide Duplicator

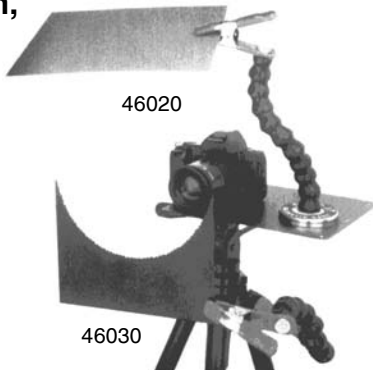
Image magnification from 1:1 to 2.6:1. Duplicator allows for horizontal and vertical movement of slide so that cropping is possible. This allows for enlargement of a portion of the slide, making possible different compositions from the original slide. The unit fits directly into the camera and has its own optical lens system. Accepts all T-Mounts.



BSA712 Zoom Duplicator

### CPM/Delta Single Arm, Dual Large Clamp

Holds gels, gobos, flags, and reflectors for special effects and lighting control. (Shown with Light Stand Arm)



BCP242110	Single Arm, Clamp, Magnetic Base, Tripod, Wall Plate	46020
BCP242130	Single Arm, Dual Large Clamp	46030

### CPM/Delta Light Stand Arm

20 different combinations are possible. Flexible for placement of gobos, reflectors, flags, small lights and flash heads with 120° tilt and 360° rotation. Fits male/female 1/4" - 20 tripod threads, male/female 3/8" and 5/8" light stands. Also available with a large clamp.

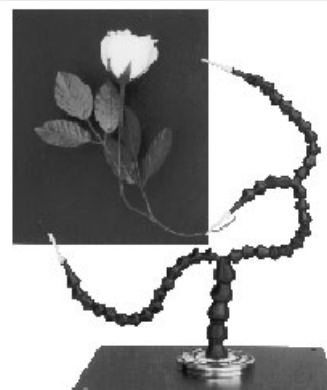


Light Stand Arm with Clamp shown.

BCP242160	Light Stand Arm	46060
BCP242170	Light Stand Arm with Clamp	46070
BCP242130	Single Arm, Dual Large Clamp	46030

### CPM/Delta Dual Arm, Triple Clamp, Magnetic Base, Plate

Perfect for table top photography of small objects, etc. 1/2" and 3/4" plastic segmented fittings.



BCP242100	Dual Arm, Triple Clamp, Magnetic Base, Plate	46010
-----------	--	-------

### **samigon®** Self Timer

Fits the cable release sockets of cameras and provides variable time delay for self-portraits.



BSA831 Self-timer

**FOR FAST DELIVERY CALL TOLL FREE!**

# ARGRAPH

CORP

Address: 111 Asia Place, Carlstadt, NJ 07072 Phone: (201) 939-7722

Order by Toll Free Phone: 1-888-ARGRAPH or 1-800-526-6290 Fax: (201) 939-7782

Email your orders to: [orders@argraph.com](mailto:orders@argraph.com)

Website: [www.argraph.com](http://www.argraph.com)